

Spin-11A Standard Rotary Paddle Switch



Rotary Paddle Switch

In Spin-11 Rotary Paddle Switch series of products, micro motor, through a clutch, drives the rotation of a transmission shaft on which a paddle is assembled. When the spinning paddle is not contacted with measured material, the motor is in normal rotation; when the paddle is covered by the measured material, the motor stops rotating and its power is switched off automatically. At the same time, a switching signal is generated by a detection device to control the process of material transport /delivery. Rotary paddle switch is widely used in modern industrial process and storage.

Spin -11 Rotary Paddle Switch series is manufactured with high quality well-known brand motor, micro switch and bearing, etc. We also developed detailed technology, introduced strict production flow and quality inspection throughout. Spin-11 has high reliability and quality consistency. In comparison with other similar products in the market, Jiwei Spin-11 Rotary Paddle Switch has the following advantages:

- Purchased high quality well-known brand motors and micro switches as its key parts.
- Dual bearing design, with stable operation and long life time in service.
- Integrated design and anti-loose mechanical control mechanism, easy for parts replacement and maintenance.
- Made of 304/316L stainless steel.
- IP65 Ingress protection rating.



For different operation conditions, Spin -11 Rotary Paddle Switch series has two models to cope with:

Spin -11A Standard: For most of granular/powdery bulk solids level measurement.

Spin-11P Guard: Enhanced with a protection sleeve, suitable for bulk solid granules with higher density.

Spin-11A Standard Rotary Paddle Switch

Overview

Spin-11A Standard Rotary Paddle Switch is made of 304/316L stainless steel. It is suitable for most of granular/powdery bulk solids level measurement. Full production process management and test are introduced throughout its manufacturing process. Spin-11A has higher reliability.

Features

- Purchased high quality key parts such as motor, micro switch and bearing from international market.
- Dual bearing design, stable operation and long life time in service.
- Integrated design and anti-loose mechanical mechanism, easy for maintenance and parts replacement.
- Made of 304/316L stainless steel.
- With gas and dust explosion proof certificates, applicable in a wide range.
- IP65 ingress protection rating.



Typical applications

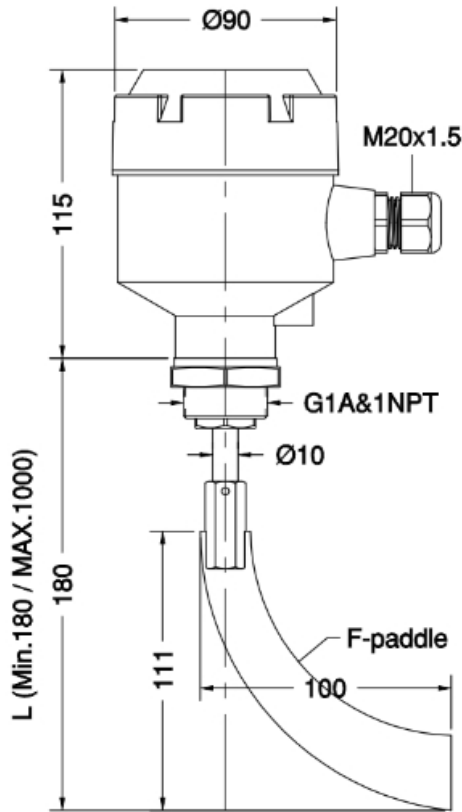
- Level measurement for granular and powdery bulk solids, such as fodder, bean, cereal, flour, etc.
- Level measurement for fly ash, lime powder, etc.
- Level measurement for sawdust, resin, rubber, and plastic particle, etc.

Technical data

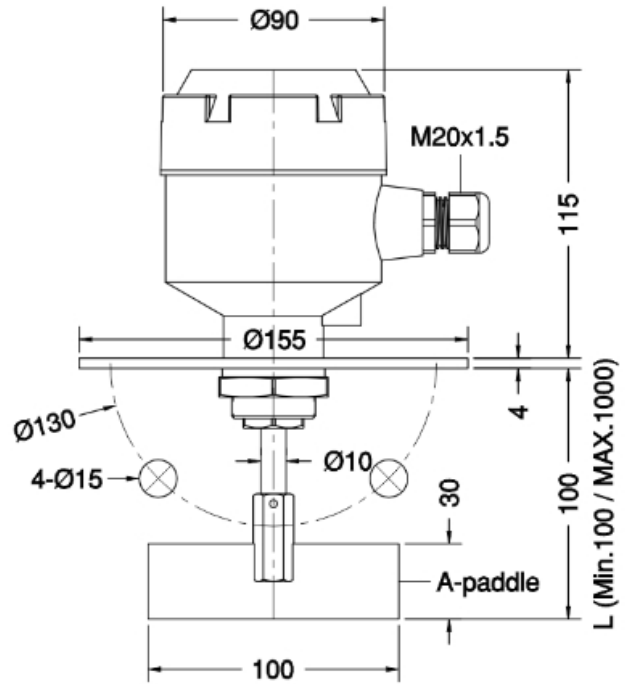
Measured medium	Bulk solid granule and powder
Medium Density	≥0.3g/cm ³
Process temperature	Normal: -20°C~+70°C
	High temperature: -20°C~+400°C
Ambient temperature	-40~85°C
Process fitting	Flange (thin/ standard)
	Thread
Material for spindle and paddle	304/316L stainless steel
Paddle speed	1 R.P.M
External housing	Aluminum alloy
Ingress protection rating	IP65
Cable entry	M20 x1.5

Contact rating	SPDT 5A/250V AC
Power supply	24V DC
	220V AC, 50/60Hz
Approval	Gas Flameproof Enclosure: Ex d IIC T6 Dust Explosion Protection Enclosure: Ex tD A21 IP65 T80°C

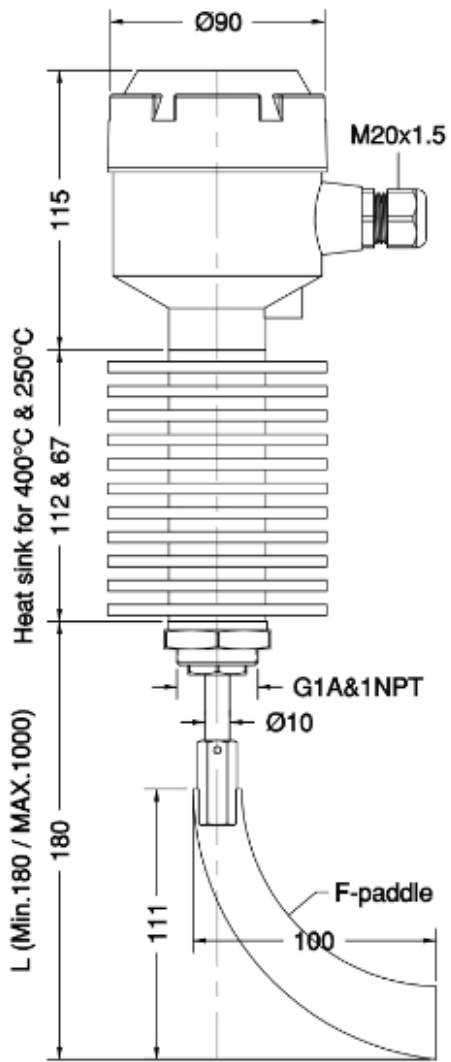
Dimensional drawings



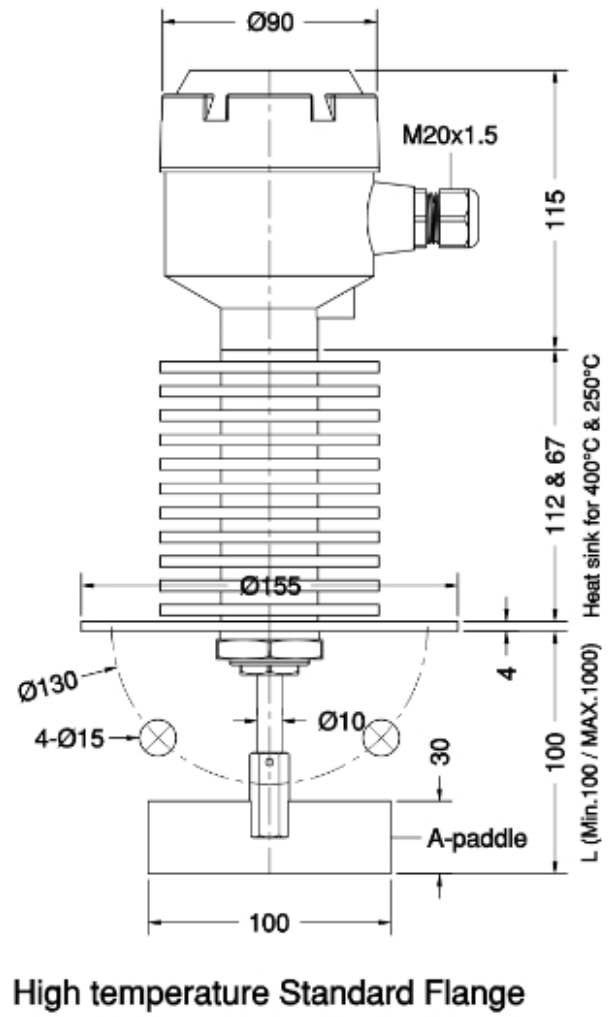
Standard Thread



Standard Flange

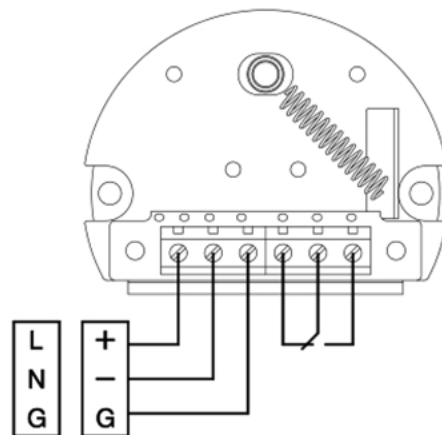


High temperature Standard Thread



High temperature Standard Flange

Wiring plan



Order information

Spin-11 A

Approvals N None explosion hazards
 D Gas Flameproof(Enclosure: Ex D IIC T6)
 E Dust Explosion protection Enclosure: Ex tD A21 IP65 T80°C

Power supply A 220V AC
 D 24V DC

Process temperature C -20~70°C
 H -20~400°C

Process fitting TH Thread G 1"A
 TM Thread 1"NPT
 FA Flange DN50 PN16
 FB Flange DN80 PN16
 XX Customized design

Paddle LA 100×30 (W×H)
 LB 65×80 (W×H)
 LC 65×120 (W×H)
 LD 80×80 (W×H)
 LE 50×30 (W×H)
 LF Sickle-shaped
 LG Foldable

Length Selectable from 100~1000mm as specified.

Note:

1. Length is defined by four digits in mm. For example, 500mm is expressed as 0500.
2. Default process fitting is made of 304 stainless steel, 316L and carbon steel are also available upon request.
3. Default flange is thin flange, standard flange is available upon request.
4. Default motor is standard motor, higher reliability motor is available upon selection.